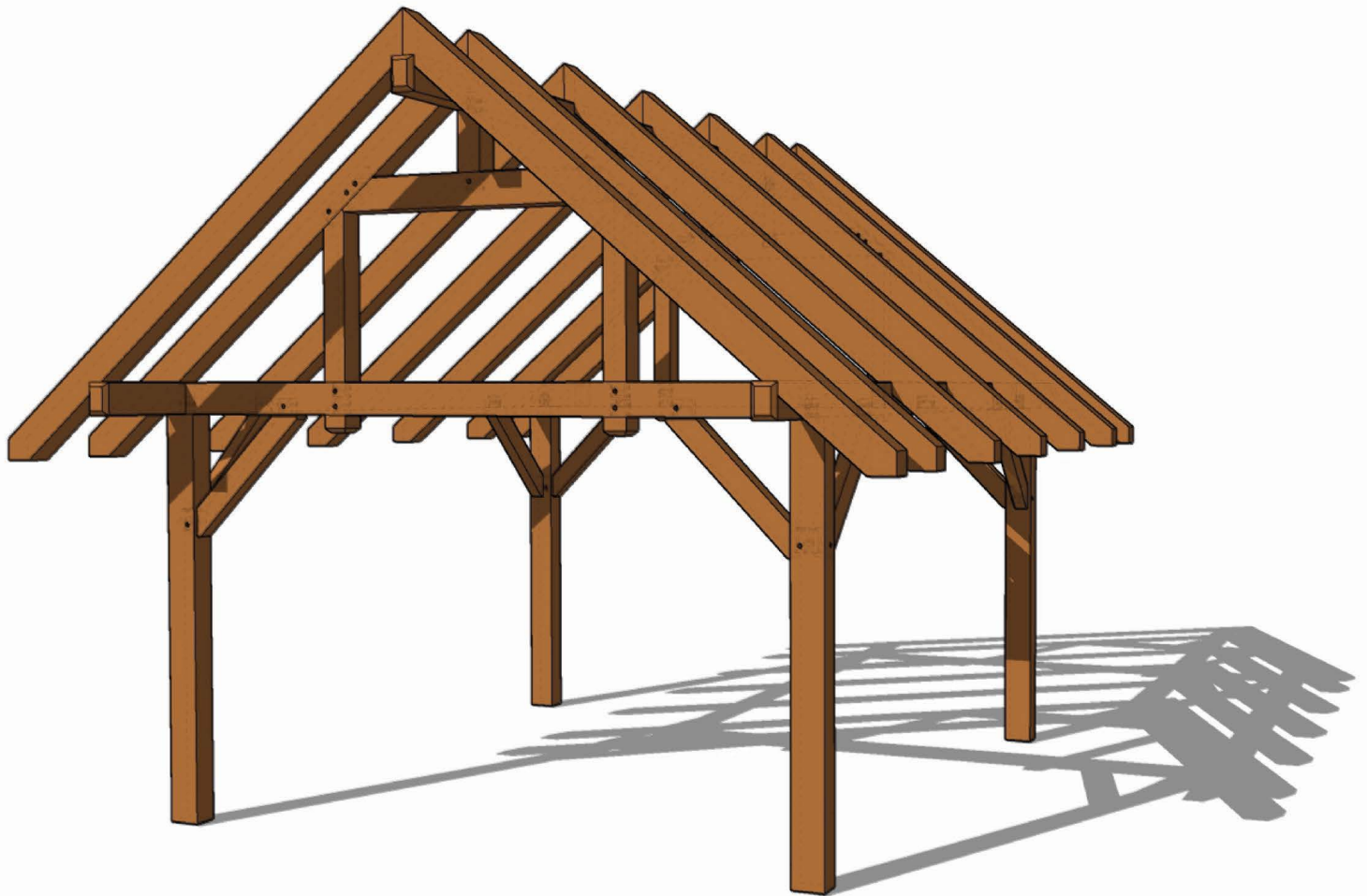


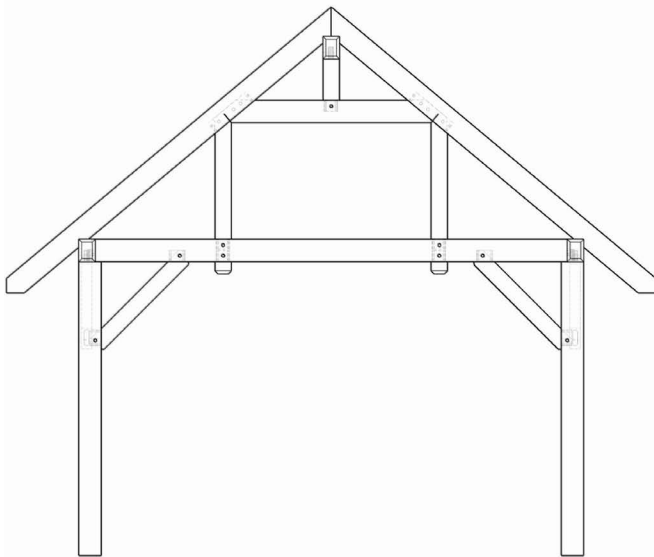
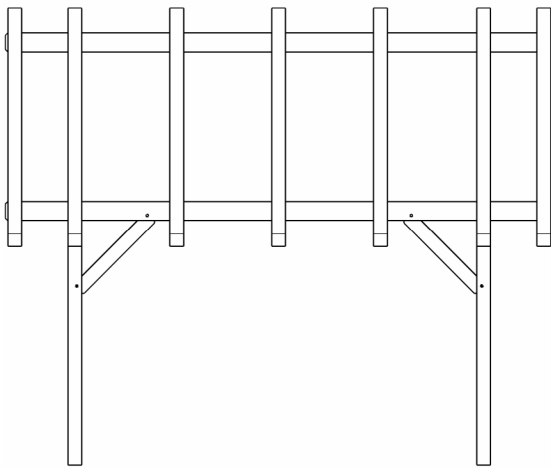
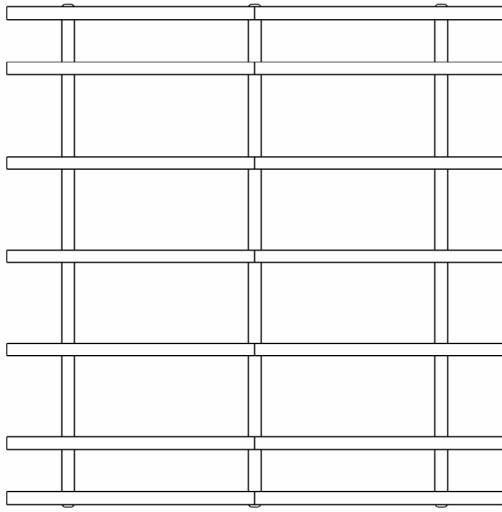
PAVILION: VIREO

PRODUCT # 90200200



QUEEN POST PAVILION WITH RAFTERS

- Constructed with Douglas Fir timber
- Precision fabricated on cutting-edge CNC machinery
- Traditional mortise, tenon & wood peg joinery
(no steel brackets or through-bolting)
- Ultra sturdy construction designed and built to last
- Wide range of sizes & timber species
- Custom stain, texture and finishing available
- Delivered in kit form for easy installation
- Requires installation/assembly by authorized reseller or experienced carpenter



The Vireo is a heavy timber pavilion with elegant queen post truss construction, designed to last and constructed for life. It is precision fabricated on advanced CNC machinery using the highest quality Douglas fir timbers. Wood-on-wood joinery provides a timeless aesthetic and allows for easy installation. This product is delivered in kit form with numbered parts, drawings, wood pegs and fasteners. This product requires assembly by an experienced carpenter with timber frame knowledge.

SPECIFICATIONS:

SIZES: 30 (12'x12' through 20'x26')

BASE FOOTPRINT SIZE: 12'x12' through 20'x26'

OVERALL SIZE: 14'x14' through 22'x28'

HEAD HEIGHT: 8'

OVERALL HEIGHT: 14' 2" through 17' 7"

ROOF OVERHANG: 2'

ROOF PITCH: 10/12

POST SIZE: 6"x8" through 8"x8"

JOINERY: Traditional mortise & tenon

OPTIONS:

WOOD SPECIES: Douglas Fir (standard), Western Red Cedar, Alaskan Yellow Cedar, Port Orford Cedar, Cypress, Hemlock, White Fir, Reclaimed, Exotic

BRACES: Curved braces (standard), straight braces

SURFACES: S4S (standard), resawn, wire brushed, radius-hewn, Adze-hewn, triple-texture

FINISHES: Staining or oiling available upon request

ROOFING: 2x6 tongue & groove

ANCHORING: Contact reseller

INSTALLATION: Products require installation by an experienced carpenter or an authorized SystemBuilt Timber reseller. Assembly, installation and pre-assembly is not included in product pricing – contact reseller for information.

ENGINEERING: SystemBuilt Timber products are not engineered to local building codes, unless specifically stated. Engineering approvals can be provided upon request at an additional charge.

PRICING:

Pricing, upgrade options and installation services are available upon request

SystemBuilt Timbers LLC.
1005 S. 120th Street, Lafayette CO 80026
Email: info@sbtimber.com
Telephone: (720) 726-1111
Website: sbtimber.com

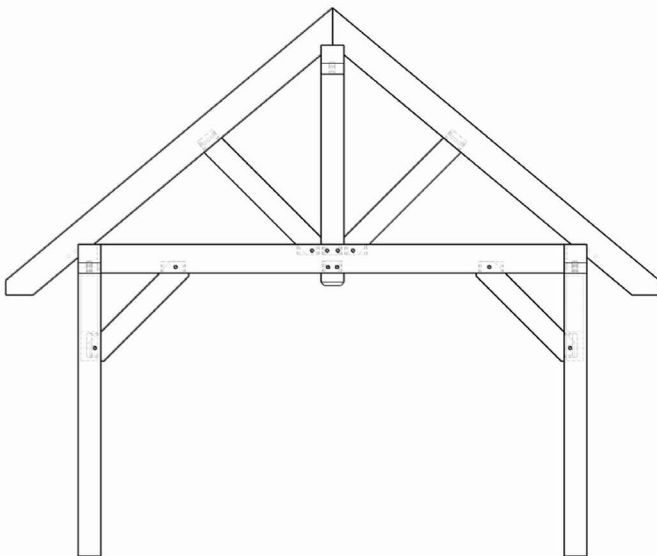
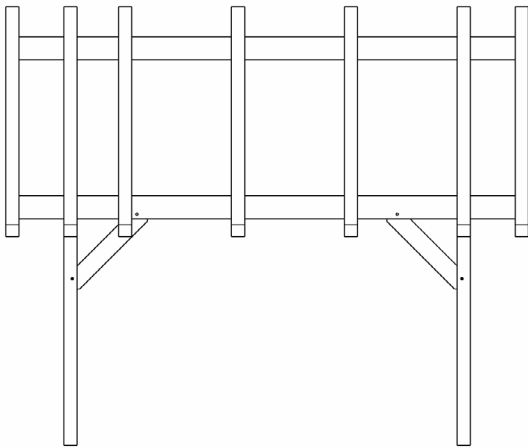
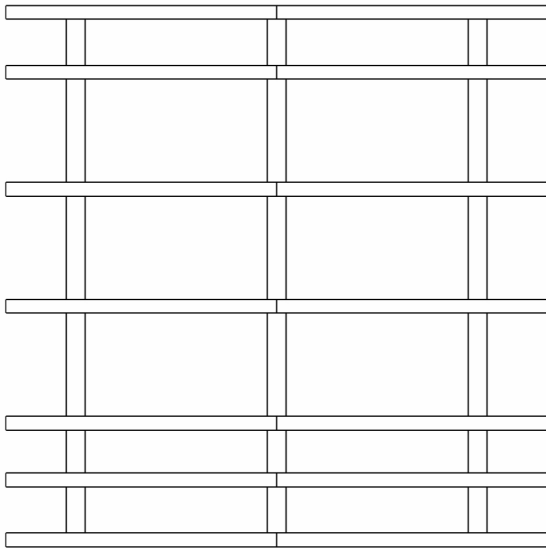
PAVILION: TANAGER

PRODUCT # 90200100



KING POST PAVILION WITH RAFTERS

- Constructed with Douglas Fir timber
- Precision fabricated on cutting-edge CNC machinery
- Traditional mortise, tenon & wood peg joinery (no steel brackets or through-bolting)
- Ultra sturdy construction designed and built to last
- Wide range of sizes & timber species
- Custom stain, texture and finishing available
- Delivered in kit form for easy installation
- Requires installation/assembly by authorized reseller or experienced carpenter



The Tanager is a heavy timber pergola with king post truss construction and rafter system. It is precision fabricated on advanced CNC machinery using the highest quality Douglas fir timbers. Wood-on-wood joinery provides a timeless aesthetic and allows for easy installation. This product is delivered in kit form with numbered parts, drawings, wood pegs and fasteners. This product requires assembly by an experienced carpenter with timber frame knowledge.

SPECIFICATIONS:

SIZES: 30 (12'x12' through 20'x26')

BASE FOOTPRINT SIZE: 12'x12' through 20'x26'

OVERALL SIZE: 14'x14' through 22'x28'

HEAD HEIGHT: 8'

OVERALL HEIGHT: 14' 2" through 17' 7"

ROOF OVERHANG: 2'

ROOF PITCH: 10/12

POST SIZE: 6"x8" through 8"x8"

JOINERY: Traditional mortise & tenon

OPTIONS:

WOOD SPECIES: Douglas Fir (standard), Western Red Cedar, Alaskan Yellow Cedar, Port Orford Cedar, Cypress, Hemlock, White Fir, Reclaimed, Exotic

BRACES: Curved braces (standard), straight braces

SURFACES: S4S (standard), resawn, wire brushed, radius-hewn, Adze-hewn, triple-texture

FINISHES: Staining or oiling available upon request

ROOFING: 2x6 tongue & groove

ANCHORING: Contact reseller

INSTALLATION: Products require installation by an experienced carpenter or an authorized SystemBuilt Timber reseller. Assembly, installation and pre-assembly is not included in product pricing – contact reseller for information.

ENGINEERING: SystemBuilt Timber products are not engineered to local building codes, unless specifically stated. Engineering approvals can be provided upon request at an additional charge.

PRICING:

Pricing, upgrade options and installation services are available upon request

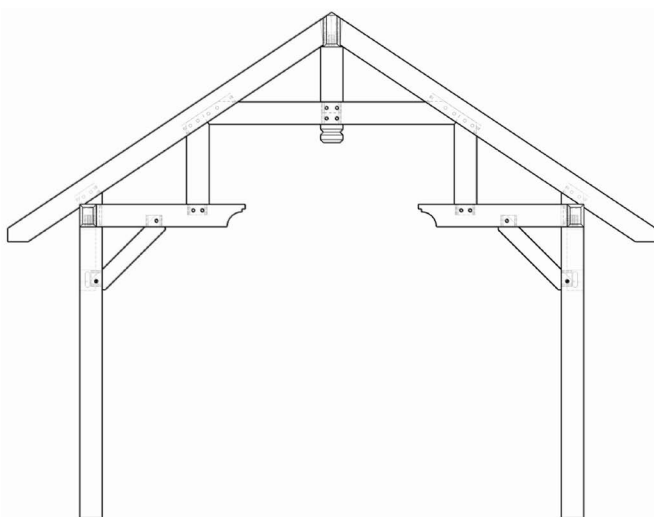
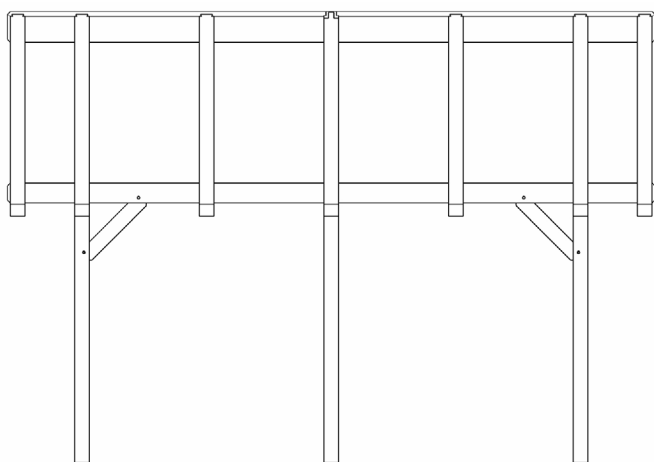
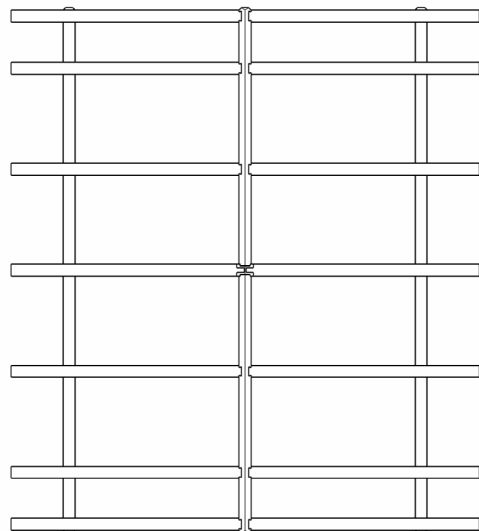
PAVILION: MALLARD

PRODUCT # 90200500



HAMMER BEAM PAVILION WITH RAFTERS

- Constructed with Douglas Fir timber
- Precision fabricated on cutting-edge CNC machinery
- Traditional mortise, tenon & wood peg joinery (no steel brackets or through-bolting)
- Ultra sturdy construction designed and built to last
- Wide range of sizes & timber species
- Custom stain, texture and finishing available
- Delivered in kit form for easy installation
- Requires installation/assembly by authorized reseller or experienced carpenter



The Mallard is a heavy timber pavilion with hammer truss construction and rafter system. It is precision fabricated on advanced CNC machinery using the highest quality Douglas fir timbers. Wood-on-wood joinery provides a timeless aesthetic and allows for easy installation. This product is delivered in kit form with numbered parts, drawings, wood pegs and fasteners. This product requires assembly by an experienced carpenter with timber frame knowledge.

SPECIFICATIONS:

SIZES: 21 (12'x12' through 16'x26')

BASE FOOTPRINT SIZE: 12'x12' through 20'x26'

OVERALL SIZE: 14'x14' through 22'x28'

HEAD HEIGHT: 8'

OVERALL HEIGHT: 13'2" through 16'2"

ROOF OVERHANG: 2'

ROOF PITCH: 10/12

POST SIZE: 6"x8" through 8"x8"

JOINERY: Traditional mortise & tenon

OPTIONS:

WOOD SPECIES: Douglas Fir (standard), Western Red Cedar, Alaskan Yellow Cedar, Port Orford Cedar, Cypress, Hemlock, White Fir, Reclaimed, Exotic

BRACES: Curved braces (standard), straight braces

SURFACES: S4S (standard), resawn, wire brushed, radius-hewn, Adze-hewn, triple-texture

FINISHES: Staining or oiling available upon request

ROOFING: 2x6 tongue & groove

ANCHORING: Contact reseller

INSTALLATION: Products require installation by an experienced carpenter or an authorized SystemBuilt Timber reseller. Assembly, installation and pre-assembly is not included in product pricing – contact reseller for information.

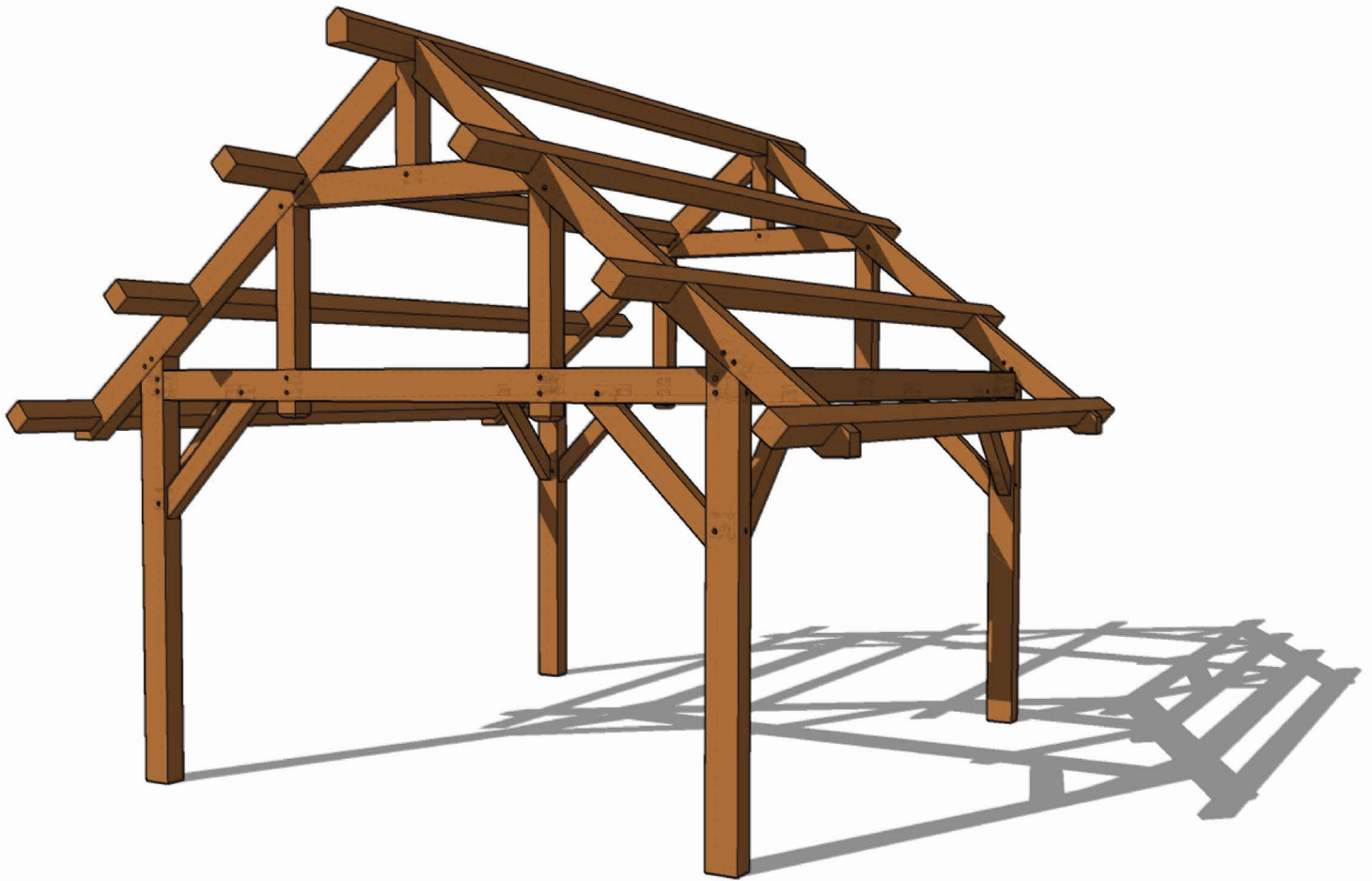
ENGINEERING: SystemBuilt Timber products are not engineered to local building codes, unless specifically stated. Engineering approvals can be provided upon request at an additional charge.

PRICING:

Pricing, upgrade options and installation services are available upon request

PAVILION: EGRET

PRODUCT # 90200900



QUEEN POST PAVILION WITH PURLINS

- Constructed with Douglas Fir timber
- Precision fabricated on cutting-edge CNC machinery
- Traditional mortise, tenon & wood peg joinery (no steel brackets or through-bolting)
- Ultra sturdy construction designed and built to last
- Wide range of sizes & timber species
- Custom stain, texture and finishing available
- Delivered in kit form for easy installation
- Requires installation/assembly by authorized reseller or experienced carpenter

The Egret is a heavy timber pavilion with elegant queen post truss construction and purlin system. It is precision fabricated on advanced CNC machinery using the highest quality Douglas fir timbers. Wood-on-wood joinery provides a timeless aesthetic and allows for easy installation. This product is delivered in kit form with numbered parts, drawings, wood pegs and fasteners. This product requires assembly by an experienced carpenter with timber frame knowledge.

SPECIFICATIONS:

SIZES: 30 (12'x12' through 20'x26')

BASE FOOTPRINT SIZE: 12'x12' through 20'x26'

OVERALL SIZE: 14'x14' through 22'x28'

HEAD HEIGHT: 8'

OVERALL HEIGHT: 14'2" through 17'6"

ROOF OVERHANG: 2'

ROOF PITCH: 10/12

POST SIZE: 6"x8" through 8"x8"

JOINERY: Traditional mortise & tenon

OPTIONS:

WOOD SPECIES: Douglas Fir (standard), Western Red Cedar, Alaskan Yellow Cedar, Port Orford Cedar, Cypress, Hemlock, White Fir, Reclaimed, Exotic

BRACES: Curved braces (standard), straight braces

SURFACES: S4S (standard), resawn, wire brushed, radius-hewn, Adze-hewn, triple-texture

FINISHES: Staining or oiling available upon request

ROOFING: 2x6 tongue & groove

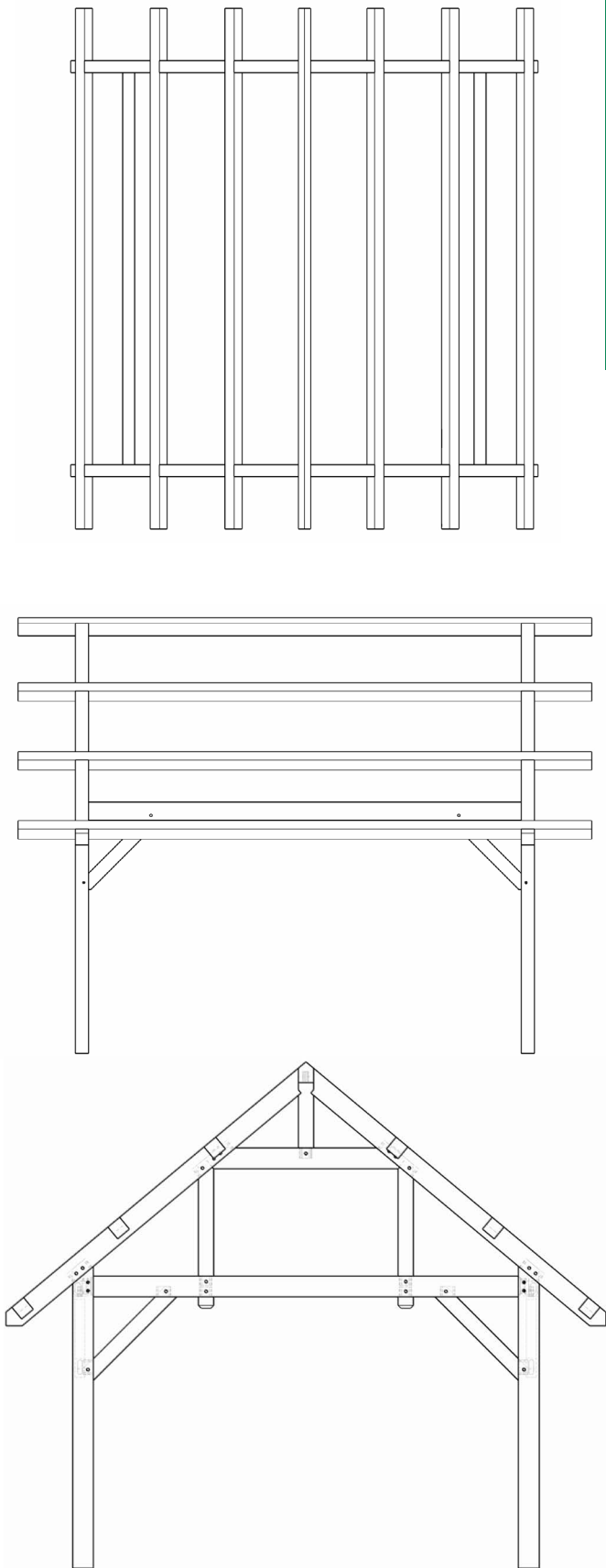
ANCHORING: Contact reseller

INSTALLATION: Products require installation by an experienced carpenter or an authorized SystemBuilt Timber reseller. Assembly, installation and pre-assembly is not included in product pricing – contact reseller for information.

ENGINEERING: SystemBuilt Timber products are not engineered to local building codes, unless specifically stated. Engineering approvals can be provided upon request at an additional charge.

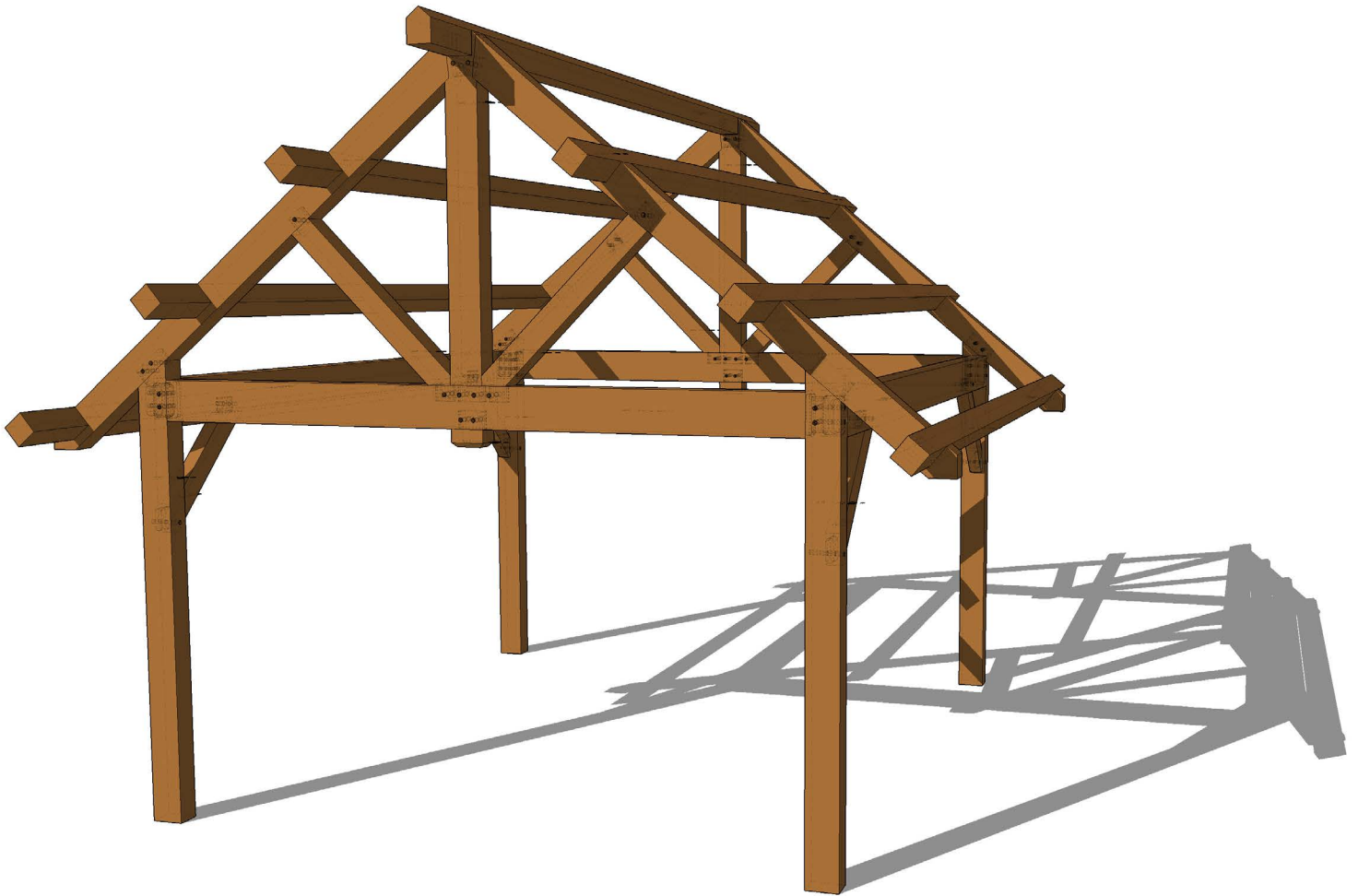
PRICING:

Pricing, upgrade options and installation services are available upon request



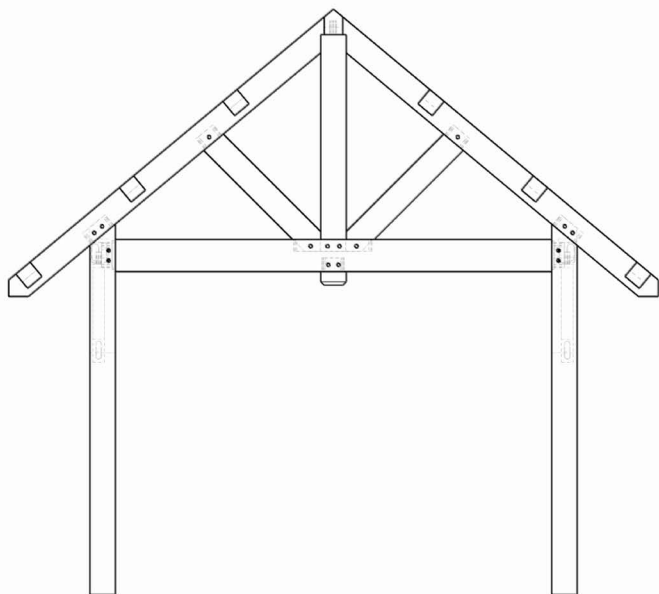
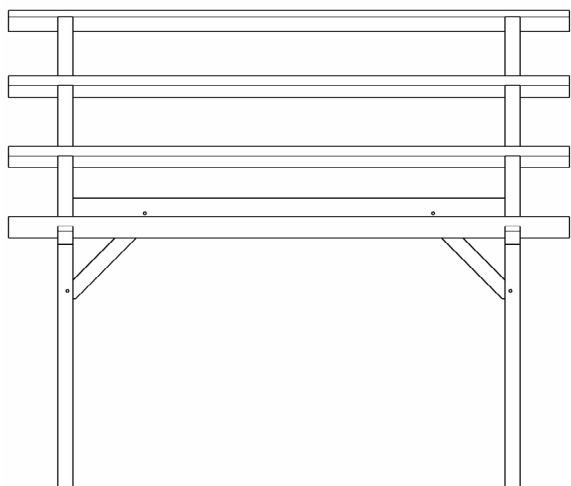
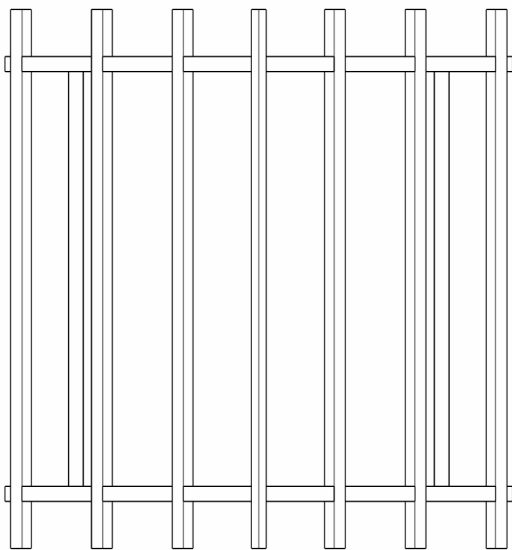
PAVILION: HERON

PRODUCT # 90200600



KING POST PAVILION WITH PURLINS

- Constructed with Douglas Fir timber
- Precision fabricated on cutting-edge CNC machinery
- Traditional mortise, tenon & wood peg joinery
(no steel brackets or through-bolting)
- Ultra sturdy construction designed and built to last
- Wide range of sizes & timber species
- Custom stain, texture and finishing available
- Delivered in kit form for easy installation
- Requires installation/assembly by authorized reseller or experienced carpenter



The Heron is a heavy timber pavilion with king post truss construction and purlin system. It is precision fabricated on advanced CNC machinery using the highest quality Douglas fir timbers. Wood-on-wood joinery provides a timeless aesthetic and allows for easy installation. This product is delivered in kit form with numbered parts, drawings, wood pegs and fasteners. This product requires assembly by an experienced carpenter with timber frame knowledge.

SPECIFICATIONS:

SIZES: 30 (12'x12' through 20'x26')

BASE FOOTPRINT SIZE: 12'x12' through 20'x26'

OVERALL SIZE: 14'x14' through 22'x28'

HEAD HEIGHT: 8'

OVERALL HEIGHT: 14'5" through 18'3"

ROOF OVERHANG: 2'

ROOF PITCH: 10/12

POST SIZE: 6"x8" through 8"x8"

JOINERY: Traditional mortise & tenon

OPTIONS:

WOOD SPECIES: Douglas Fir (standard), Western Red Cedar, Alaskan Yellow Cedar, Port Orford Cedar, Cypress, Hemlock, White Fir, Reclaimed, Exotic

BRACES: Curved braces (standard), straight braces

SURFACES: S4S (standard), resawn, wire brushed, radius-hewn, Adze-hewn, triple-texture

FINISHES: Staining or oiling available upon request

ROOFING: 2x6 tongue & groove

ANCHORING: Contact reseller

INSTALLATION: Products require installation by an experienced carpenter or an authorized SystemBuilt Timber reseller. Assembly, installation and pre-assembly is not included in product pricing – contact reseller for information.

ENGINEERING: SystemBuilt Timber products are not engineered to local building codes, unless specifically stated. Engineering approvals can be provided upon request at an additional charge.

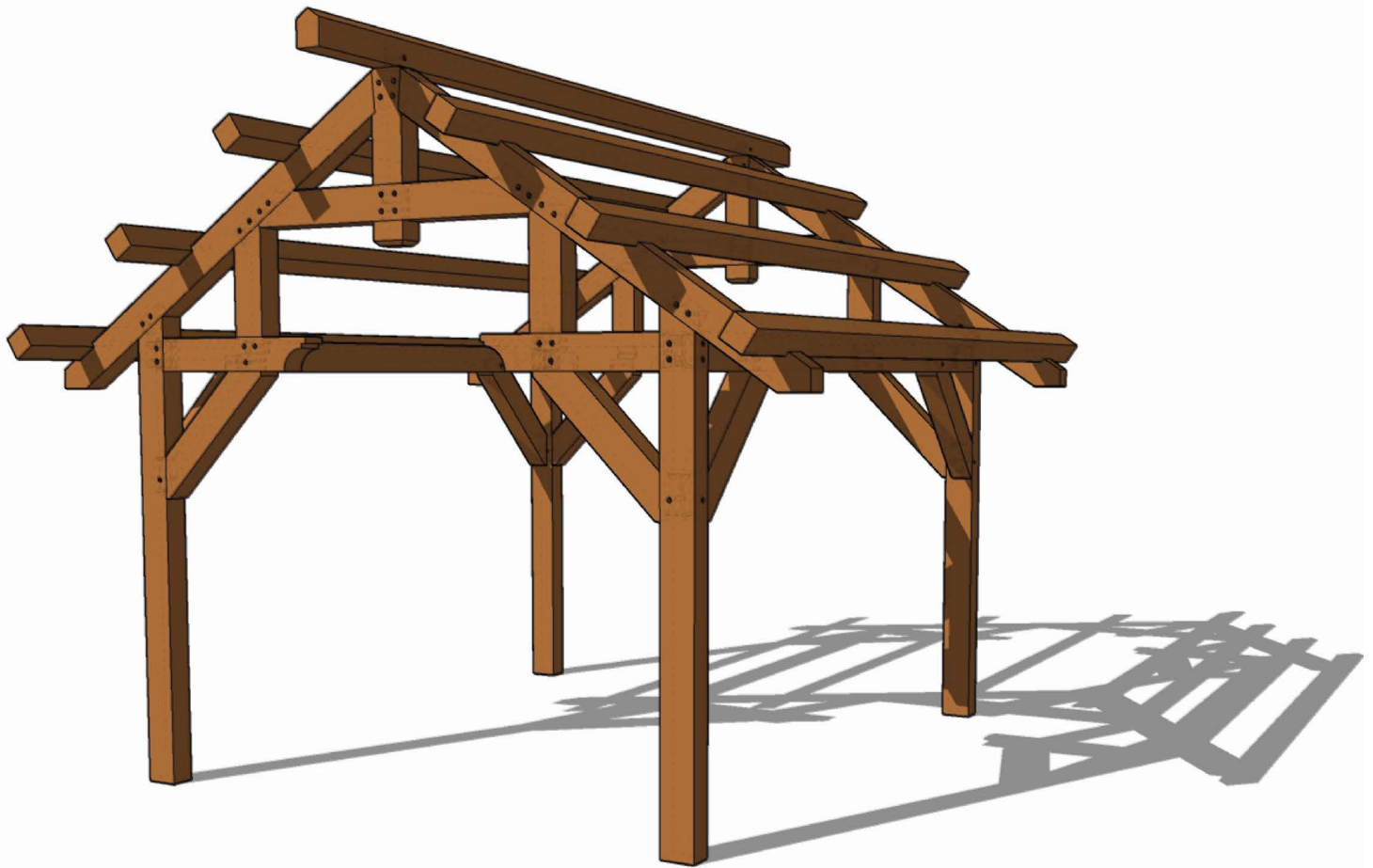
PRICING:

Pricing, upgrade options and installation services are available upon request

SystemBuilt Timbers LLC.
1005 S. 120th Street, Lafayette CO 80026
Email: info@sbtimber.com
Telephone: (720) 726-1111
Website: sbtimber.com

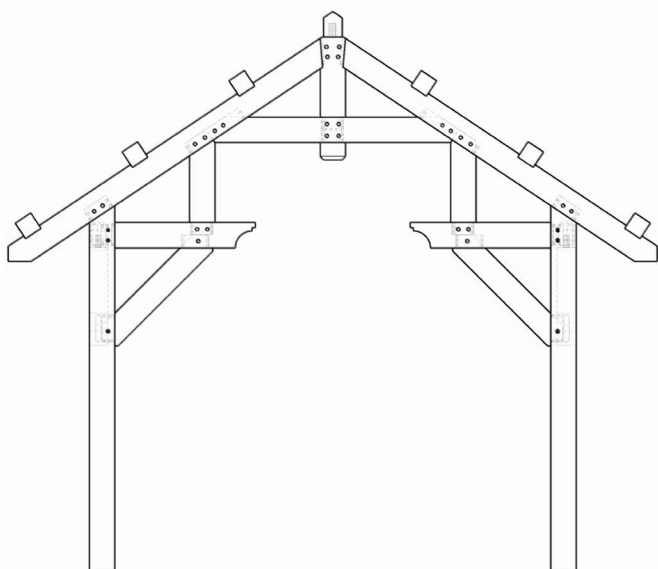
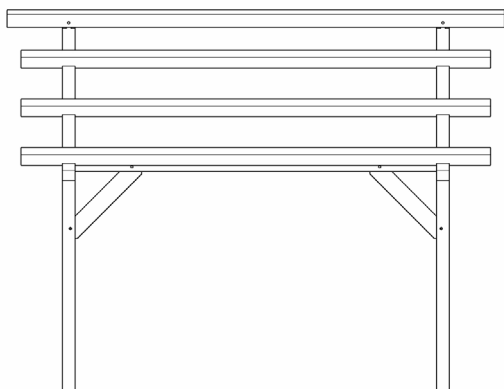
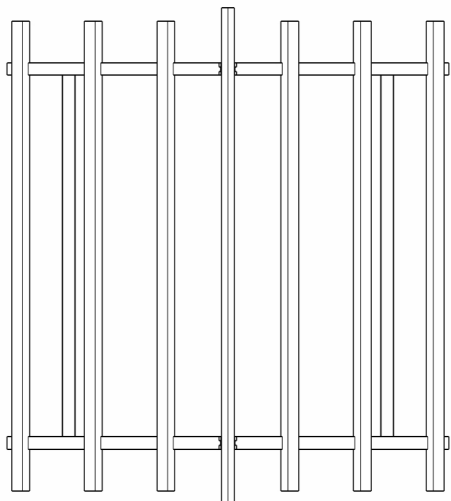
PAVILION: SAGE GROUSE

PRODUCT # 90200400



HAMMER BEAM PAVILION WITH PURLINS

- Constructed with Douglas Fir timber
- Precision fabricated on cutting-edge CNC machinery
- Traditional mortise, tenon & wood peg joinery
(no steel brackets or through-bolting)
- Ultra sturdy construction designed and built to last
- Wide range of sizes & timber species
- Custom stain, texture and finishing available
- Delivered in kit form for easy installation
- Requires installation/assembly by authorized reseller or experienced carpenter



The Sage Grouse is a heavy timber pavilion with hammer beam truss construction and purlin system. It is precision fabricated on advanced CNC machinery using the highest quality Douglas fir timbers. Wood-on-wood joinery provides a timeless aesthetic and allows for easy installation. This product is delivered in kit form with numbered parts, drawings, wood pegs and fasteners. This product requires assembly by an experienced carpenter with timber frame knowledge.

SPECIFICATIONS:

SIZES: 21 (12'x12' through 16'x26')

BASE FOOTPRINT SIZE: 12'x12' through 20'x26'

OVERALL SIZE: 14'x14' through 22'x28'

HEAD HEIGHT: 8'

OVERALL HEIGHT: 13'10" through 16'8"

ROOF OVERHANG: 2'

ROOF PITCH: 10/12

POST SIZE: 6"x8" through 8"x8"

JOINERY: Traditional mortise & tenon

OPTIONS:

WOOD SPECIES: Douglas Fir (standard), Western Red Cedar, Alaskan Yellow Cedar, Port Orford Cedar, Cypress, Hemlock, White Fir, Reclaimed, Exotic

BRACES: Curved braces (standard), straight braces

SURFACES: S4S (standard), resawn, wire brushed, radius-hewn, Adze-hewn, triple-texture

FINISHES: Staining or oiling available upon request

ROOFING: 2x6 tongue & groove

ANCHORING: Contact reseller

INSTALLATION: Products require installation by an experienced carpenter or an authorized SystemBuilt Timber reseller. Assembly, installation and pre-assembly is not included in product pricing – contact reseller for information.

ENGINEERING: SystemBuilt Timber products are not engineered to local building codes, unless specifically stated. Engineering approvals can be provided upon request at an additional charge.

PRICING:

Pricing, upgrade options and installation services are available upon request

SystemBuilt Timbers LLC.
1005 S. 120th Street, Lafayette CO 80026
Email: info@sbtimber.com
Telephone: (720) 726-1111
Website: sbtimber.com

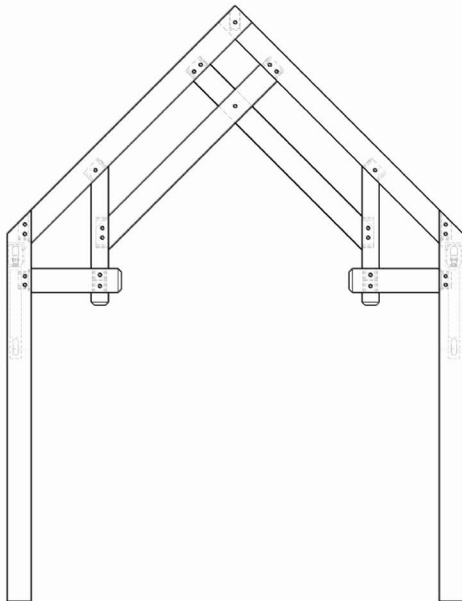
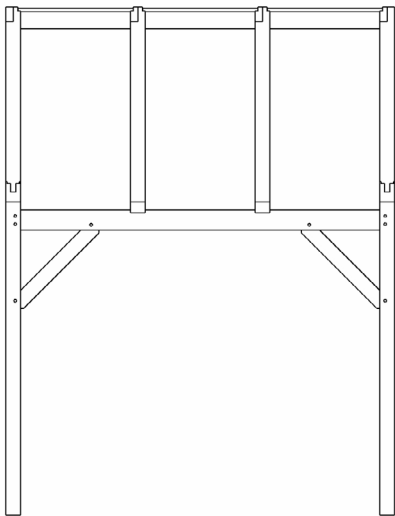
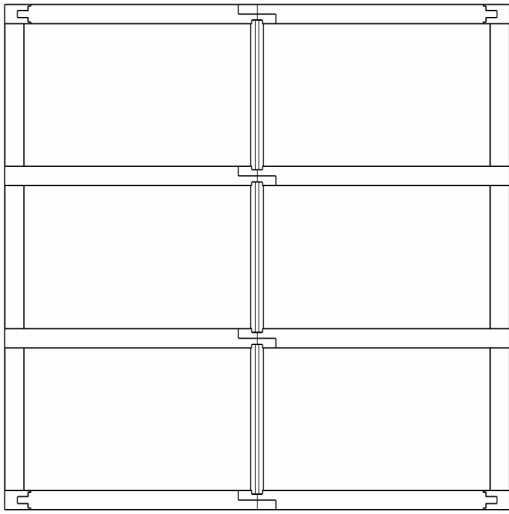
PAVILION: SNOW GOOSE

PRODUCT # 90200800



CONTEMPORARY SCISSOR TRUSS PAVILION

- Constructed with Douglas Fir timber
- Precision fabricated on cutting-edge CNC machinery
- Traditional mortise, tenon & wood peg joinery (no steel brackets or through-bolting)
- Ultra sturdy construction designed and built to last
- Wide range of sizes & timber species
- Custom stain, texture and finishing available
- Delivered in kit form for easy installation
- Requires installation/assembly by authorized reseller or experienced carpenter



The Snow Goose is a modern timber pavilion with a striking scissor truss and rafter configuration. It is precision fabricated on advanced CNC machinery using the highest quality Douglas fir timbers. Wood-on-wood joinery provides a timeless aesthetic and allows for easy installation. This product is delivered in kit form with numbered parts, drawings, wood pegs and fasteners. This product requires assembly by an experienced carpenter with timber frame knowledge.

SPECIFICATIONS:

- SIZES:** 30 (12'x12' through 20'x26')
- BASE FOOTPRINT SIZE:** 12'x12' through 20'x26'
- OVERALL SIZE:** 14'x14' through 22'x28'
- HEAD HEIGHT:** 8'
- OVERALL HEIGHT:** 15'6" through 19'6"
- ROOF OVERHANG:** 2'
- ROOF PITCH:** 10/12
- POST SIZE:** 6"x8" through 8"x8"
- JOINERY:** Traditional mortise & tenon

OPTIONS:

WOOD SPECIES: Douglas Fir (standard), Western Red Cedar, Alaskan Yellow Cedar, Port Orford Cedar, Cypress, Hemlock, White Fir, Reclaimed, Exotic

BRACES: Curved braces (standard), straight braces

SURFACES: S4S (standard), resawn, wire brushed, radius-hewn, Adze-hewn, triple-texture

FINISHES: Staining or oiling available upon request

ROOFING: 2x6 tongue & groove

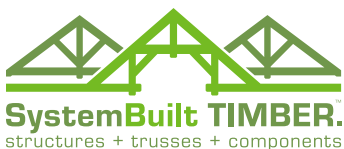
ANCHORING: Contact reseller

INSTALLATION: Products require installation by an experienced carpenter or an authorized SystemBuilt Timber reseller. Assembly, installation and pre-assembly is not included in product pricing – contact reseller for information.

ENGINEERING: SystemBuilt Timber products are not engineered to local building codes, unless specifically stated. Engineering approvals can be provided upon request at an additional charge.

PRICING:

Pricing, upgrade options and installation services are available upon request



SystemBuilt Timbers LLC.
 1005 S. 120th Street, Lafayette CO 80026
 Email: info@sbtimber.com
 Telephone: (720) 726-1111
 Website: sbtimber.com